

KODEN

10.4-inch Color LCD
Plotter Sounder

CVG-200



All echo sounder and chart plotter functions in one display!

FEATURES

Echo sounder with chart facility

The KODEN CVG-200 combines all echo sounder and chart plotter functions in one display providing a compact solution for vessels where space is limited.

Echo sounder functions

The CVG-200 utilizes KODEN's many years of experience in manufacturing commercial echo sounders. It features a dual frequency 50/200 kHz with power outputs of either 600 W or 1 kW.

Plotter functions

A built-in C-MAP NT+ worldwide base map is included as standard.

Special features of the CVG-200:

Parallel cursor function

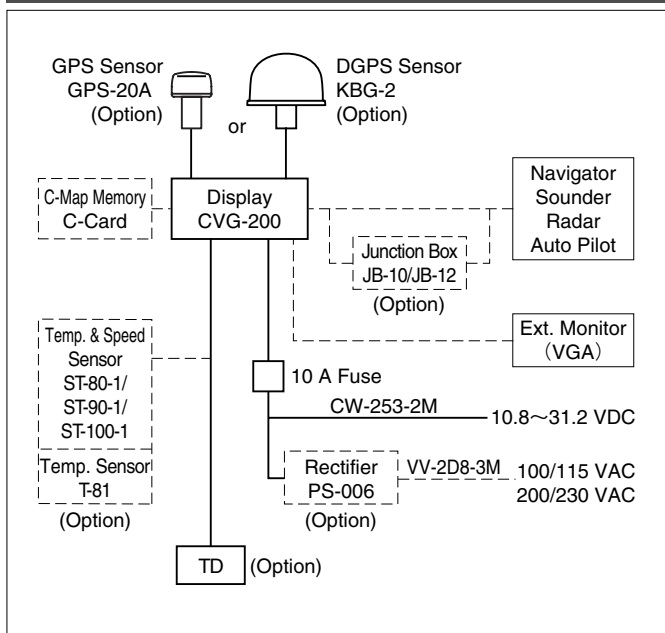
Track color variation on water temperature

Track color variation on water depth

EQUIPMENT LIST

Standard equipments	Receiver unit with hard cover	1 set
	DC power cable	1
	Cable for transducer (for TD-501C)	1
	Spare parts and Operation manual	1 set
Options	Transducer, GPS sensor, DGPS sensor, Junction box, Power rectifier, Water temperature / Speed sensor, Water temperature sensor, Inner hull kit, Kingston kit	

CONNECTIONS



SPECIFICATIONS

General

GPS Plotter Sounder	CVG-200
Display	10.4 inch High Brightness TFT Color LCD
Display resolution (Pixel)	480 x 640
Display mode	Plotter, Sounder (Single/Dual presentation), Plotter + Sounder (Vertical/Horizontal split presentation), Compass, and Highway
Power supply	10.8 to 31.2 VDC
Power consumption	45 W or less (at 24 VDC)
Water proofing grade	IPX5

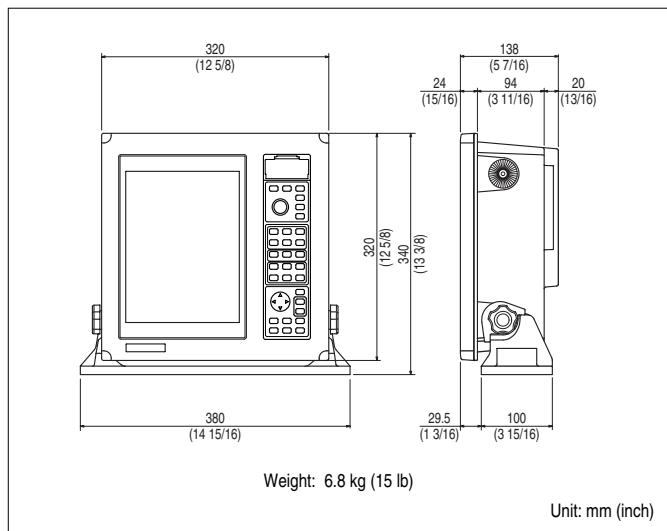
Sounder Function

Display colors	16 colors (Color palette can be changed) / background: 9 colors
Frequency	Dual 50/200 kHz
Depth range	5 to 1200: Depth unit selected from Meter, Japanese Fathom, Fathom, and Italian Fathom 10 to 4000: Depth unit Feet
Image shift	Auto or Manual 0 to 3000: Depth unit selected from Meter, Japanese Fathom, Fathom, and Italian Fathom 0 to 8000: Depth unit Feet
Presentation mode	N: Normal (incl. SHIFT) Z: Zoom (Bottom Lock, Bottom discrimination and Zoom) B.Z: Bottom Zoom
Audible alarm	Fish alarm and Depth alarm
Image speed	Fixed 11 speed (4/1, 3/1, 2/1, 1/1, 1/2, 1/3, 1/4, 1/6, 1/8, 1/12, 1/16) and stop
Auto function	Depth range, Shift, and Gain

Plotter Function

Display mode	Head up, North up, Course up, Own ship center fixed mode, 3 fix scale, and Other ship plot mode with ATA
Effective projection area	0.01 to 3600 nm (near the equator)
Plot interval	1 to 600 sec. or 0.01 to 10 nm
Map projection	Mercator
Usable area	80 degree latitude or below
Memory & storage capability	Track: 2000, 4000, 7000 x 7 blocks Mark (waypoint): 8300 points Route: 50 routes with 50 points Graphics: 500 points x 7 blocks Other ship's track: 1000 points x 10 targets
Audible alarm	Arrival, POB, and Cross track error
Electronic chart	C-Map NT+

DIMENSIONS AND WEIGHT



* Specifications subject to change without notice.

KODEN

KODEN ELECTRONICS CO., LTD.

OVERSEAS DEPT.

13-24, TAMAGAWA 2-CHOME, OTA-KU

TOKYO, 146-0095 JAPAN

TEL: +81 3 3756-6918

FAX: +81 3 3756-6831

E-MAIL: overseas@koden-electronics.co.jp

www.koden-electronics.co.jp

Certified to ISO 9001 (TUV PRODUCT SERVICE)



Safety
precaution

To ensure proper and safe use of the equipment,
please carefully read and follow the instructions in
the OPERATION MANUAL.

FOR DETAILS, PLEASE CONTACT: